

## SEALED INDUSTRIAL COMPUTER WITH INTEGRATED TOUCH SCREEN



### **Rugged, High-performance Touch Computer for the Industrial Workplace**

The ET4550 Industrial Computer delivers ruggedness and touch flexibility, and when properly mounted meets NEMA 4X/IP66 sealing standards around the front bezel. The ET4550 Industrial Computer uses touch screens which combine exceptional durability with high precision, optical clarity, and brightness. Near Field Imaging (NFI) and Infra-T touch screens can be operated with a bare finger or gloved hand and can withstand severe abuse, abrasions, chemicals, shock, and vibration in wide variations of temperature and humidity.

The unit is offered with a 15 inch colour TFT display, FDD, HDD, LAN, USB, Serial and sound connectors. Expansion slots can hold three PCI cards. Where a larger display is required, there is a sister product, the ET4580 which has an 18 inch display.

Options such as a CD-ROM, DC power supply, and solid state drives help increase this industrial computer's utility into many industrial environments where a fast processor and rugged NEMA 4X/IP66 front panel are required

Also available is the optional stainless steel bezel which is ideal for the pharmaceutical or food and beverage industries.

The critical internal components are shock/vibration isolated allowing application to production machinery.

## FEATURES

- Front panel sealed to NEMA 4X/IP66
- Easily panel mounted
- Pentium III, 1 Ghz Intel Processor minimum
- 15" TFT LCD display offers a +/- 60 degree viewing angle
- Exceptional touch durability and flexibility. The touch screen can be operated with gloves and maintains touch accuracy in extreme temperature and humidity variations
- Excellent shock and vibration characteristics

# "ET4550 - a Industrial Computer for Rugged Conditions"

## GENERAL SPECIFICATIONS

<b>DISPLAY:</b>	15" Color TFT, max resolution 1024x768, 16.7 million colors, 230 cd/m <sup>2</sup> brightness, active area 304mm x 228mm.
<b>TOUCH SCREEN:</b>	Near Field Imaging™ or Infra-T infra red options.
<b>COMPUTER:</b>	Intel PIII 1 Ghz processor (minimum), RAM 128Mb standard (upgrade to 512 Mb), Intel ATX Motherboard, 20Gb HDD with shock mounts (base), Solid State Drive 512Mb or 1Gb as an option, 3.5" FDD, optional Notebook style CD-ROM or CD R/W.
<b>OPERATING SYSTEM:</b>	Options of Windows 2000, Windows NT or Windows XP.
<b>INTERFACES:</b>	3 PCI slots and 1 AGP slot, 4 USB ports, 1 Parallel port, 2 Serial ports (1 used by touch screen), 10/100 Base T Ethernet, Standard PC audio, PS/2 keyboard and mouse ports.
<b>POWER:</b>	AC power supply, input range 110 to 240 VAC auto-ranging , Frequency 47 to 63Hz, Output power 200 Watts DC power supply, input range 19-32 VDC , Output power 200 Watts
<b>COOLING:</b>	Forced air cooling.
<b>ENVIRONMENT:</b>	
Operating Shock:	15G, 11mS pulse.
Operating Vibration:	5 – 2000Hz, 1G acceleration
Operating Temperature:	0 to 50°C. (32° — 122°F)
Storage Temperature:	-20 to 60°C. (-4° — 140°F)
Humidity:	50°C (122°F, 85% non-condensing
<b>ENCLOSURE:</b>	
Enclosure:	Zinc plated and powder coated steel.
Bezel:	Standard — Aluminum. Stainless steel face plate available as an option.
Weight:	12.25 kgs (27lbs)
<b>CERTIFICATIONS:</b>	
Environmental:	NEMA 4, IP65.
Safety:	CE.
Emissions:	EN55022 Class A, FCC CFR 47, PART 15, subpart B, Class A C-Tick-Australia, New Zealand

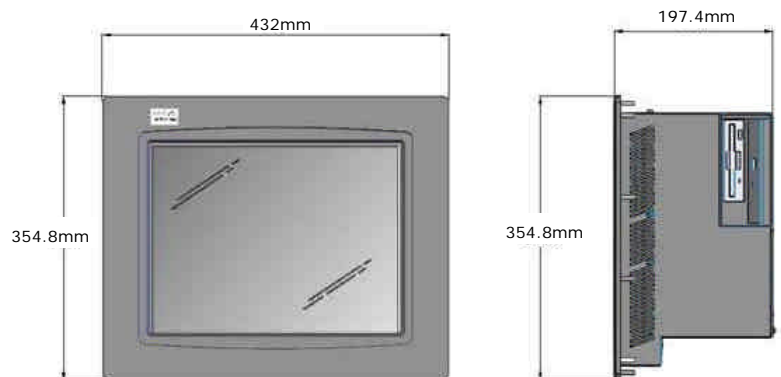
## DIMENSIONS

The diagram is the ET4550 (15" screen, Panel Mount):

### Panel cut out dimensions

296.24mm W x 320.04 mm H x 248.92mm D minimum  
15.6" W x 12.6" H x 9.38" D

A template is included with the unit.



American office:  
MGR Industries  
3013 E. Mulberry St.  
Fort Collins, Colorado,  
USA, 80524  
Phone: +1 970 221 2201  
Fax: +1 970 484 4078  
Email: mgrind@webaccess.net  
Web: www.mgrind.com

Distributed locally by:

APC Technology  
A.B.N. 11 308 986 292  
Head Office: 40 Stepney Street, Stepney,  
South Australia, 5069  
Phone: +61 8 8363 0400  
Fax: +61 8 8363 1736  
Email: sales@apctechnology.com.au  
Web: [www.apctechnology.com.au](http://www.apctechnology.com.au)